

# Flare™

## 4KSDI CAMERAS



### *Video cameras with Global Shutter CMOS Sensors*

#### APPLICATIONS

Aircraft and Vehicle Recording

Security and Surveillance

Medical Imaging

Specialty Video Production



- Compact One-Piece Rugged Design
- Super 35mm Low-Noise Global Shutter Sensor
- Multiple Lens Mount Options (EF, F, PL-mount)
- 3G/HD-SDI Output Formats
- 10-bit 4:2:2, 4:4:4, or RAW Output
- Synchronize Multiple Cameras via Tri-Level Sync
- Adjustable Color Matrix, Saturation and Gamma
- Advanced Auto Exposure Control

# SPECIFICATIONS

<b>Camera Model</b>	<b>Flare 4KSDI</b>
<b>Output Modes</b>	UHD or DCI 4K up to 60 fps
<b>Optical Format</b>	Super 35mm / APS-C (4K: 25.5mm diagonal, UHD: 24.2mm diagonal)
<b>Sensor Type</b>	CMOS w. global electronic shutter
<b>Sensor Options</b>	Color (Bayer) or Near IR enhanced monochrome
<b>Dynamic Range</b>	60 dB (10 stops)
<b>Output Interface</b>	Quad-Link HD-SDI, Dual-Link 3G-SDI or Quad-Link 3G-SDI
<b>Output Format</b>	10-bit 4:2:2(Y'Cb'Cr'), 4:4:4 (RGB) or RAW (Bayer)
<b>Exposure Control</b>	Automatic (AEC) or manually adjustable
<b>Luma Control</b>	Gamma, master pedestal, white clipping offset with adjustable knee function
<b>Color Control</b>	Color matrix, RGB offsets, saturation adjustment, Preset/Auto/Tracking White Balance
<b>Synchronization</b>	Tri-level sync input (BNC)
<b>Camera Configuration</b>	RS-485, use handheld remote for OSD or use PC software, cables up to 1000 ft
<b>Mechanical/Electrical</b>	
<b>Dimensions</b>	91.7 mm x 91.7 mm x 47.7 mm (not including lens mount)
<b>Lens Mount</b>	Active EF-mount, Passive EF-Mount, F-mount, PL-Mount
<b>Camera Mounting Points</b>	1x 3/8"-16, 7x 1/4"-20, 8x #M4x0.7
<b>Weight</b>	750g (not including lens mount)
<b>Power Requirements</b>	10W, 7-19V DC via Hirose 12-pin
<b>Operating Temperature</b>	-30°C to 45°C, 20-85% humidity (non-condensing)
<b>Storage Temperature</b>	-40°C to 85°C, 10-90% humidity (non-condensing)

## OUTPUT MODES

### Quad-Link HD-SDI or Dual-Link 3G-SDI:

UHD 10-bit 4:2:2/RAW: 23.98, 24, 25, 29.97, 30  
 4K 10-bit 4:2:2/RAW: 23.98, 24, 25, 29.97, 30

### Quad-Link 3G-SDI:

UHD 10-bit 4:2:2/RAW: 50, 59.94, 60  
 UHD 10-bit 4:4:4: 23.98, 24, 25, 29.97, 30  
 4K 10-bit 4:2:2/RAW: 47.95, 48, 50, 59.94, 60  
 4K 10-bit 4:2:2/RAW: 23.98, 24, 25, 29.97, 30

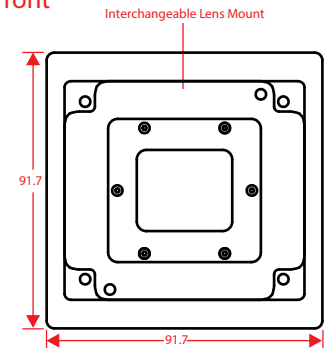
## ORDERING

Part Number	Sensor Type
4KSDI	Color
4KNSDI	Near IR Enhanced Monochrome

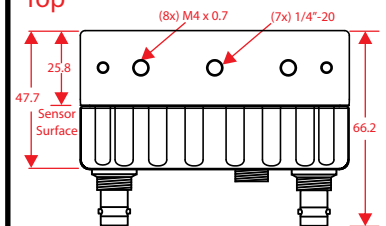
For 4KSDI (color) complete kit including accessories, use P/N 4KSDIKIT[xx]-[y] (xx = NA/EU/UK, y = P/E/A/F). Includes 4KSDI, FLARESDIRMT, ACPWRTAP[xx], CABFLAREBATT or CABFLAREBATT3 (Active EF), CABUSB4852M and lens mount [y] (P = PL, E = Passive EF, A = Active EF, F = F-mount)

## MECHANICAL DIAGRAMS

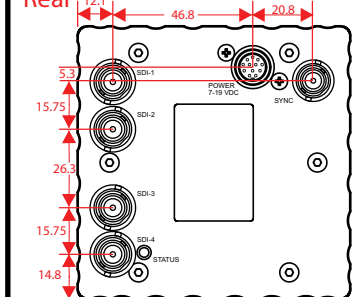
### Front



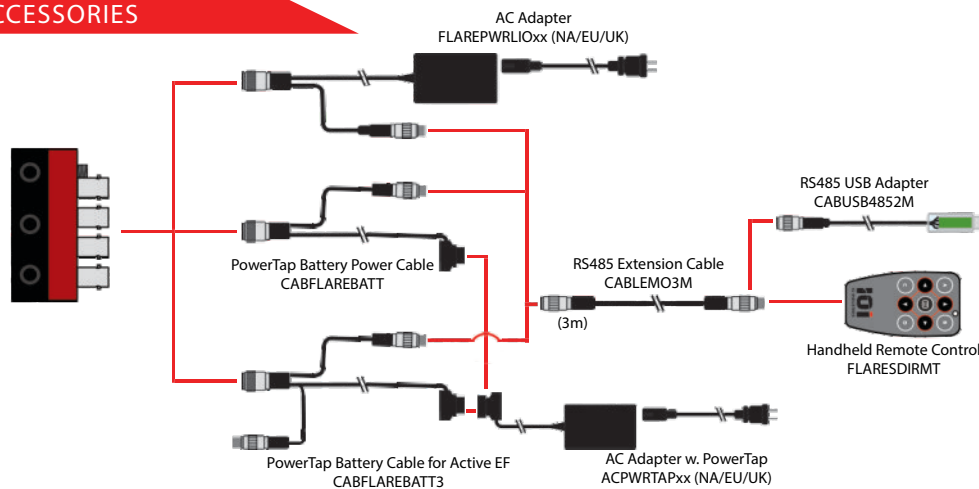
### Top



### Rear



## ACCESSORIES



Visit us at: [www.ioindustries.com](http://www.ioindustries.com)  
 15940 Robin's Hill Road  
 London, Ontario, Canada, N5V 0A4  
 Tel: +1 519 663 9570  
 Email: [sales@ioindustries.com](mailto:sales@ioindustries.com)

## LET'S STAY CONNECTED!



@IOINDUSTRIES



@IOINDUSTRIES



@IO-INDUSTRIES

Copyright © 2016 IO Industries Inc. Flare is a trademark of IO Industries. All other trademarks are the property of their respective owners.

Datasheet Rev. 3.0 (06/10/2016)  
 Specifications subject to change without notice